

3-Way Stopcock

Yellow Lipid Resistant

DESCRIPTION

Our lipid resistant 3-Way Stopcock features a handle that easily rotates into position. This stopcock is simple to use and requires a minimum amount of priming fluid.

FEATURES & BENEFITS

- Minimum priming volume required
- Male luer lock with rotating collar
- Lipid resistant
- Two female luer connectors
- Rated up to 450kpa water pressure or 300kpa air pressure
- Single use only

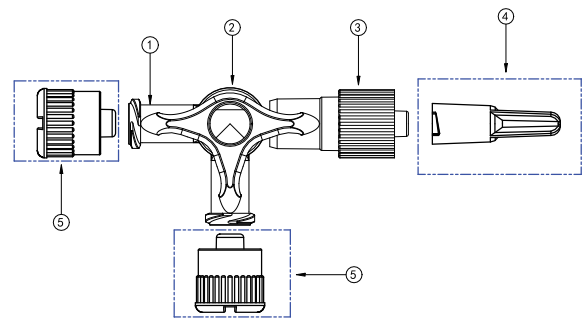
PRODUCT DATA

- Colour: Yellow/Green
- ARTG Number: 324222
- The product is MRI and CT suitable
- PVC free
- Not Made with Natural Rubber Latex
- DEHP NO = Not detected (Result less than the Method Detection Limit EN 14372)
- Materials: PE, ABS, PC and POM
- Shelf Life: 3 Years

ISO STANDARDS

- ISO 8536-10 Infusion equipment for medical use- part 10: Accessories for fluid lines for single use with pressure infusion equipment
- ISO 80369-7 Connectors for reservoir delivery systems- Part 7: Connectors for intravascular or hypodermic applications
- ISO14971 Medical Devices- Application of risk management to medical device.
- ISO13485 Medical Devices- Quality management systems – Requirements for regulatory purposes.

PRODUCT DIAGRAM



ITEM	DESCRIPTION
1	House
2	Core
3	Luer Connector
4	Cap
5	Cap

3-Way Stopcock			STERILE
RE-ORDER	DESCRIPTION	COLOUR	CARTON/QTY
IV110011	3-Way Stopcock	Yellow	50